

**GENERAL PUMP** *A member of the Interpump Group*

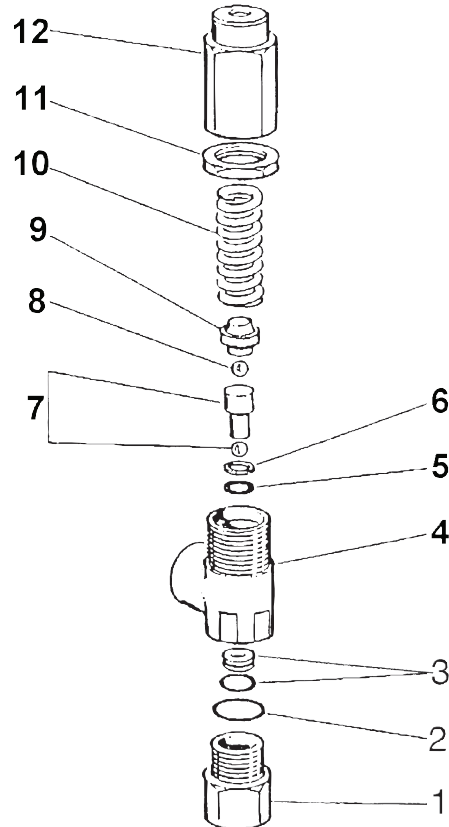
# YBRV624

**Regulating Valve****SPECIFICATIONS**

Part Number	YBRV624	
Flow Rate	6.3 GPM	
Maximum Pressure	2,450 PSI	
Maximum Temperature	195° F	
Port Sizes:	Inlet	3/8-19 BSPP-F
	Bypass	3/8-19 BSPP-F
Weight	0.8 lbs.	
Material	Brass, Stainless Steel, Buna-N	

**PARTS LIST****YBRV624 Balanced Relief Valve**

No.	Part No.	Description	Kit	Qty.
1.	Y60030631	Fitting, bypass, 3/8-19 BSPP-F		1
2.	Y10306600	O-ring, .614 x.070	*	1
3.	Y60051120	O-ring, .394x.039 & Seat	*	1
4.	Y60051735	Housing, Brass		1
5.	Y10305500	O-ring, .302 x .070	*	1
6.	Y10402500	Backup ring	*	1
7.	Y60051021	Piston with Ball, SS		1
8.	Y14742100	Ball, Ø1/4", SS		1
9.	Y60050331	Bearing, Thrust, Brass		1
10.	Y60050261	Spring, .157 x .571 x 1.969		1
11.	Y60052331	Nut, Lock, M24		1
12.	Y60053231	Knob, Brass, M24		1
*	Y60053524	Repair Kit YBRV624		



General Pump  
is a member of  
the Interpump Group



Ref 300450 Rev. E  
06-16



**GENERAL PUMP**

**GENERAL PUMP** 1174 Northland Drive • Mendota Heights, MN 55120  
Phone: 651.686.2199 • Fax: 800.535.1745 • e-mail: sales@gpcompanies.com • www.generalpump.com